

Technical Specification

REF: PNPL5

ISS: 1

Key Features

- Flush Mounted
- 12 or 24 Volt Operation
- Low Current Draw LED's
- Suitable for Interior Applications
- Choice of Light Source

Technical Specification

Functions: Licence Plate Lamp

Homologation: ECE

Voltage: 12v | 24v

Power Consumption : Bulb: (12/24v) 5w
LED: (12/24v) 0.72w

Connection : Cable 450mm

Fixing : M3 Bolt

IP Rating : IP67

Material : Lens – Acrylic | Housing – ABS

Temperature Range : -40°C to +50°C

Part Numbers

NPL9412v – 12 volt incandescent Licence Plate Lamp

NPL9424v – 24 volt incandescent Licence Plate Lamp

NPL94LED12v – 12 volt LED Licence Plate Lamp

NPL94LED24v – 24 volt LED Licence Plate Lamp

See Also

NPL94LED

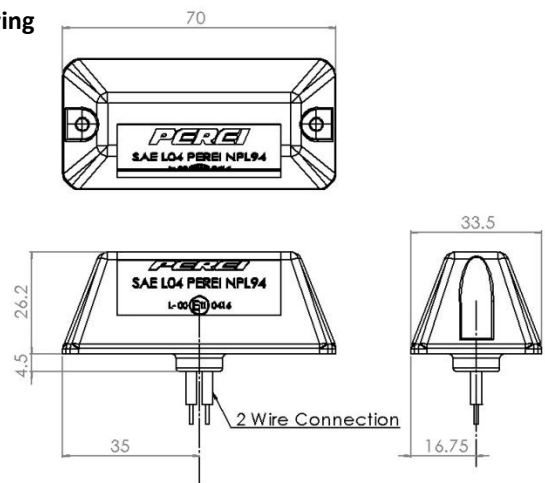


Overview

NPL94 comes in an LED or incandescent option. The lamp is easy to mount, has low current draw (LED version), and is also suitable for interior applications.

Flush mounted and ECE compliant the NPL94 is available in 12 or 24 volt options.

Drawing



www.perei.co.uk | sales@perei.co.uk | +44 (0) 1842 812290

Perei Group Limited | Keystone Innovation Centre | Thetford | Norfolk | IP24 1JD | United Kingdom

Specifications herein are subject to change without notice

PEREI