

# Technical Specification

REF: PC9

ISS: 2

## Key Features

- Slim-Line LED Combination Lamp
- Freeform Optical System
- IP67 Hermetically Sealed
- 10-30v DC Operation
- LED Long Line Reliability

## Technical Specification

**Functions:** Stop | Rear Indicator | Rear Position | Reflector

**Homologation:** ECE

**Voltage:** 10 – 30 Volts DC

<b>Power Consumption:</b> Stop	1.5W
Tail	0.5W
Position	0.5W
Indicator	0.5W

**Connection:** Cable 500mm

**Fixing:** M5

**IP Rating:** IP67 Hermetically Sealed

**Material:** Lens PC | Housing PC

**Temperature Range:** -40°C to +50°C

## Part Numbers

CRL2700LED 10-30V Stop/Position/Indicator+ Reflex

Non Handed Lamp will fit Left Hand & Right Hand

## See Also

55mm LED Range of Signal Lighting Products inc Front D.I.

95mm LED Signal Ring for fitment with 55mm Series Modules

## CRL2700LED Stop / Rear Position / Indicator + Reflex

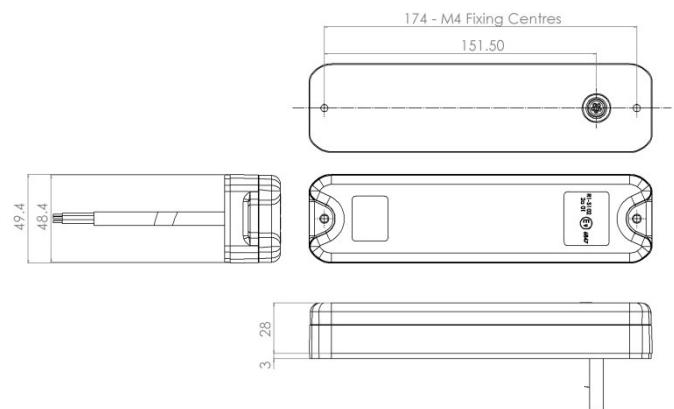


## Overview

Slim-Line Combination Lamp only 28mm High incorporating LED Stop | Rear Position & Indicator functions.

Ideal for applications with limited space, this product can be fitted in Left Hand or Right Hand Positions and includes a Rear Reflex Reflector.

## Drawing



[www.perei.co.uk](http://www.perei.co.uk) | [sales@perei.co.uk](mailto:sales@perei.co.uk) | +44 (0) 1842 812290

Perei Group Limited | 36 Wimbledon Avenue | Brandon | Suffolk | IP27 0NZ | United Kingdom

Specifications herein are subject to change without notice

**PEREI**