

EC0115-7-9-AA Side Marker Flasher Module



Retrofit module that allows O3/O4 category vehicles homologated before Oct. 2017 to meet the new standard with synchronised indicator and side marker flash...

Key features

- Compact flasher module is easy to fit on new or existing vehicles
- Fitted with ADR approved cables and AMP connectors
- Helps vehicle meet ECE Regulation 48 (Rev. 6) standards
- Operating temperature range of -30°C - +60°C
- Maximum power output of 2A
- IP67 protected cables & connectors
- IP65 protected unit
- Dual-voltage

Order code

EC0115-7-9-AA

Meet the standards of ECE Regulation 48 (Rev. 6) with our retrofit side marker flashing module for O3 & O4 category vehicles...

Specification information

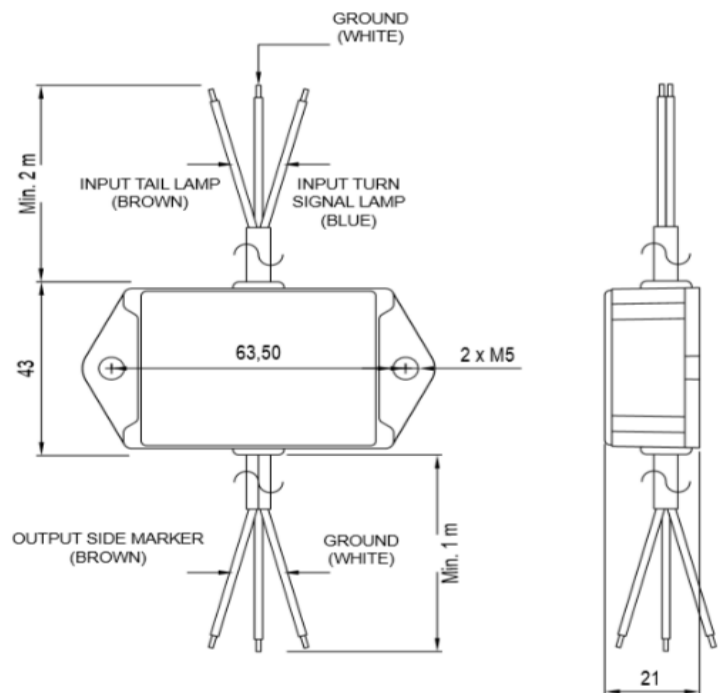
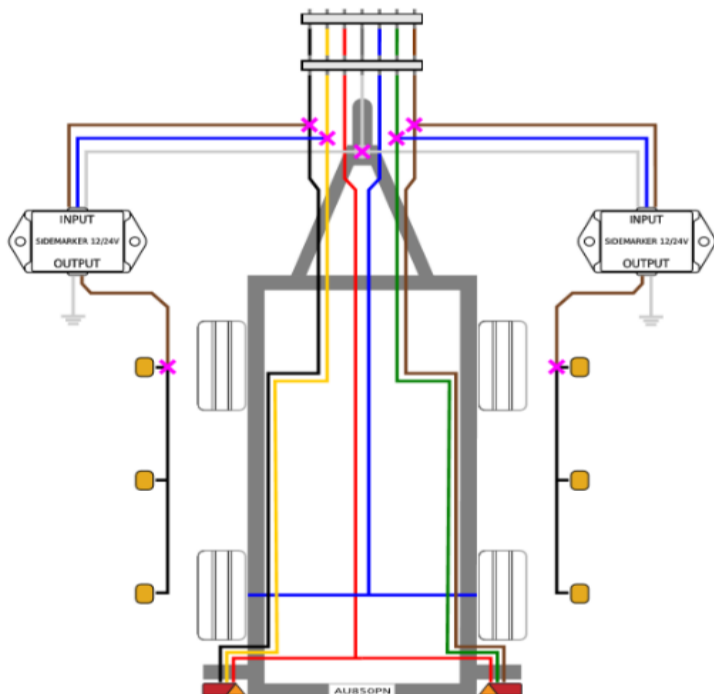
When in operation, the flashing side markers increase visibility for pedestrians and other road users to reduce the risk of collisions. On cancellation, the side marker lights return to regular operation.

Wiring information

All functions are to be wired using a 12 or 24v source (+VDC), with the exception of the ground. The ground needs to be a reliable connection, such as directly to the vehicle chassis or battery connection. Refer to drawing for colour codes.

Dimensional information

Size: 76 (w) x 43 (h) x 21 (d) mm



sales@lite-wire.com
+44 (0)1842 812290

British designers, manufacturers & assemblers
of automotive lighting & electrical systems

 **LITE-wire**
Automotive Systems