

WL203 Series LED Work & Reverse Lamp



The WL203 is a dual-application LED and reversing lamp with a zero glare wide-angle optical design...

Key features

- LED work lamp
- 12x 3W LED emitters
- 5000-6500K colour temperature
- Aluminium body construction with epoxy encapsulated electronics and UV-stabilised polycarbonate lens
- Integrated Deutsch or AMP connector optional
- ECE Regulation 10 approved
- CISPR 25 Class 3 approved (optional)
- IP69K protected
- 10-80v range

Order code

WL203SZZ-5-9-AA

Powerful and rugged – the LITE-wire range of LED work lamps keep you working well after the daylight has gone...

Specification information

Function	Wattage	LEDs	Approval(s)
Work light	36w	12	ECE R10; ECE R23; CISPR 25 Class 3 (optional)

Wiring information

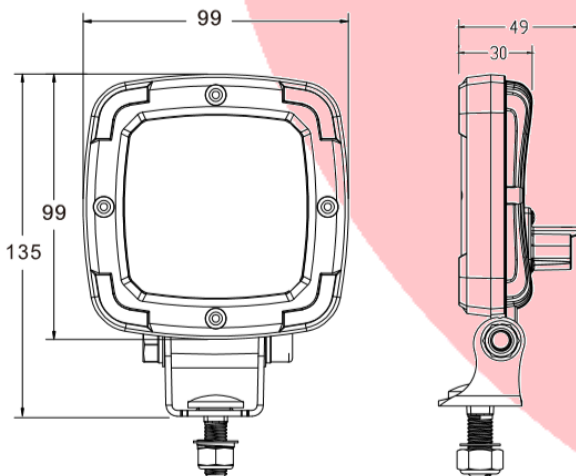
All functions are to be wired using a 12 or 24v source (+VDC), with the exception of the ground. The ground needs to be a reliable connection, such as directly to the vehicle chassis or battery connection.

Approval information

The lamp holds multiple type approvals. These cover the light output and build quality, as well as electro-magnetic compatibility requirements. Further details of the ECE regulations that may apply to your vehicle or desired application are available on request.

Dimensional information

Size: 135 (h) x 99 (w) x 30 (d) mm



sales@lite-wire.com
+44 (0)1842 812290

British designers, manufacturers & assemblers
of automotive lighting & electrical systems

 **LITE-wire**
Automotive Systems