

WL202 Series LED Work lamps



Available in bolt-on or DIN pole mountings, the WL202 Series of work lamps also feature a 5,000 raw lumen output...

Key features

- LED work lamp
- 9x 5W LED emitters
- 5000-6500K colour temperature
- Available with a swivel mount bolt-on fixing or DIN pole mount
- Fitted with a robust, integrated handle to adjust the super-high intensity 80 degree flood beam
- Aluminium body construction with epoxy encapsulated electronics and UV-stabilised polycarbonate lens
- ECE Regulation 10 approved
- CISPR 25 Class 3 approved (optional)
- IP69K protected
- Dual-voltage

Order code

WL202SHP-5-9-AA – DIN pole mount
WL202WHS-5-9-AA – Bolt-on

Powerful and rugged – the LITE-wire range of LED work lamps keep you working well after the daylight has gone...

Specification information

| Function | Wattage | LEDs | Approval(s) |
|------------|---------|------|---------------------------|
| Work light | 45w | 9 | ECE R10; CISPR 25 Class 3 |

Wiring information

All functions are to be wired using a 12 or 24v source (+VDC), with the exception of the ground. The ground needs to be a reliable connection, such as directly to the vehicle chassis or battery connection.

Approval information

The lamp holds multiple type approvals. These cover the light output and build quality, as well as electro-magnetic compatibility requirements. Further details of the ECE regulations that may apply to your vehicle or desired application are available on request.

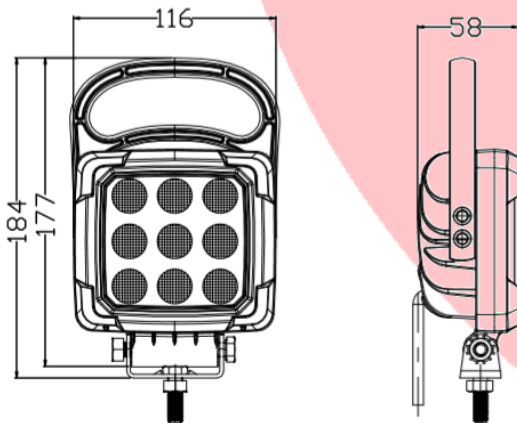
Dimensional information

Bolt-on

Size: 0 (h) x 0 (w) x 0 (d) mm

DIN mount

Size: 238 (h) x 121 (w) x 61 (d) mm



sales@lite-wire.com
+44 (0)1842 812290

British designers, manufacturers & assemblers
of automotive lighting & electrical systems

 **LITE-wire**
Automotive Systems